

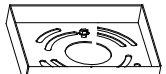
# ASSEMBLY AND INSTALLATION INSTRUCTIONS

W0049 / W0125 / W0309

**WARNING:** TO AVOID RISK OF ELECTRICAL SHOCK, BE SURE TO SHUT OFF POWER WHILE INSTALLING OR SERVICING THIS FIXTURE.

NOTES: 1. Before installing, consult local electrical codes for wiring and grounding requirements.  
2. READ AND SAVE THESE INSTRUCTIONS.

## Hardware Package (included):



Mounting Plate (A)



Mounting Screw (B)



Green Grounding Screw (C)



Headless Screw (D)



Wire Connector (E)



"L" Screwdriver (F)

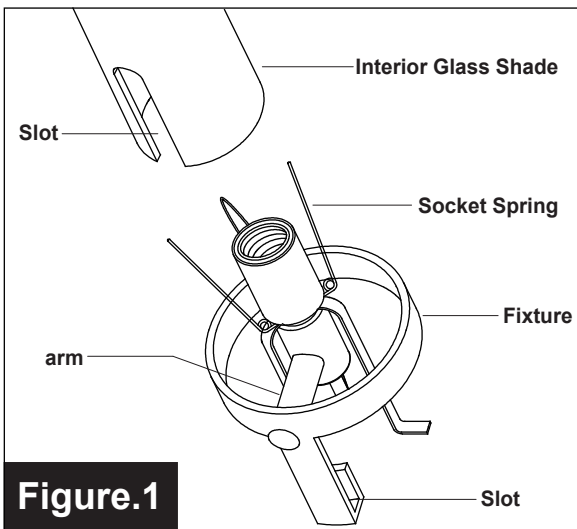
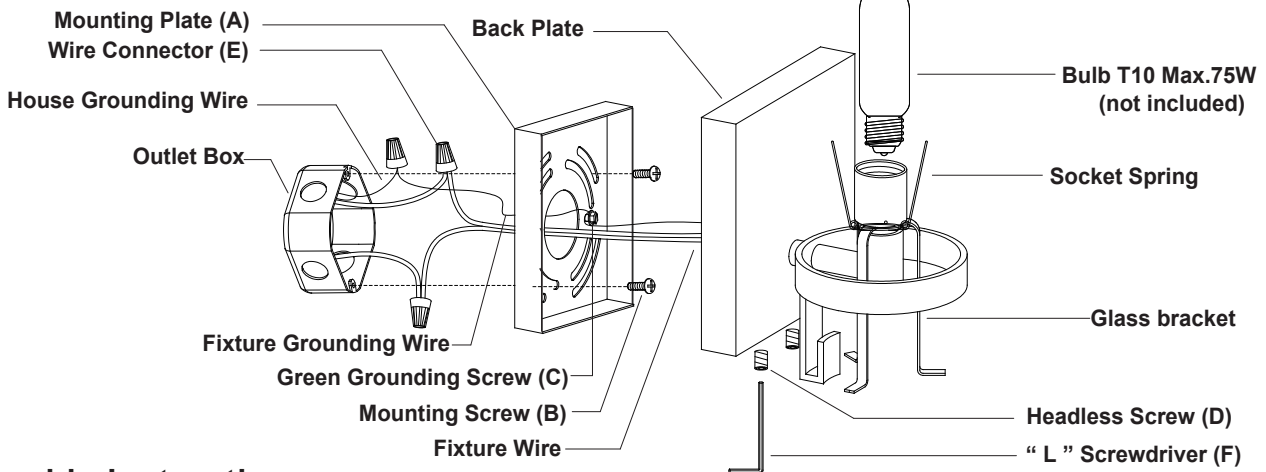
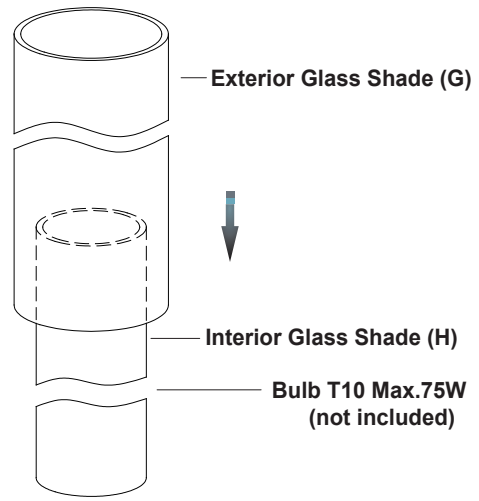


Figure.1



## Assembly Instructions:

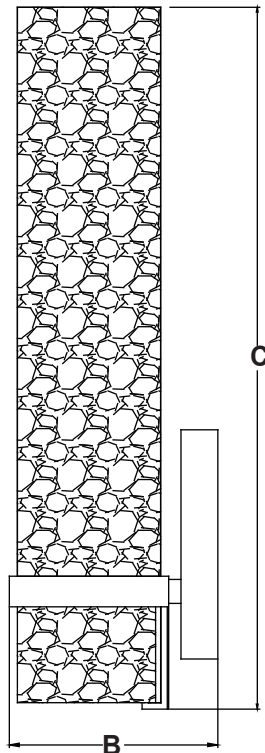
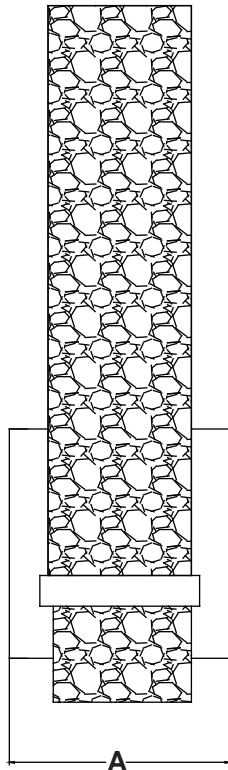
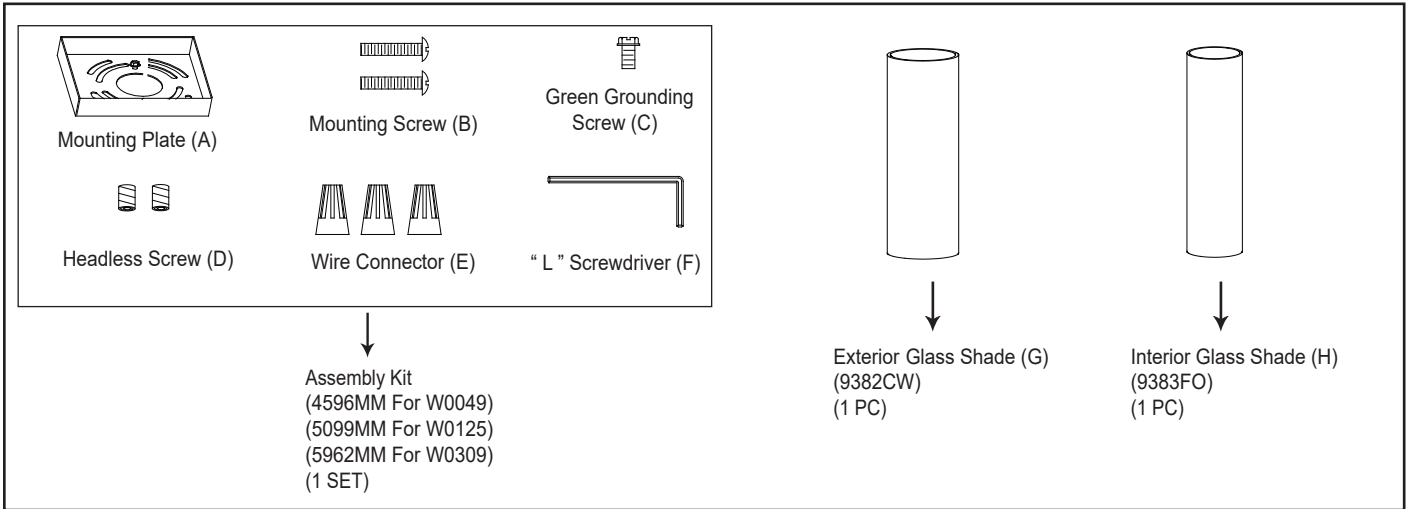
Turn off the power at fuse or circuit box.

1. Attach the mounting plate to the outlet box by using two mounting screws.
2. Pull out the source wires from the outlet box. Make wire connections using wire connectors as follows:
  - Connect the black (hot) wire from the fixture to the black (hot) wire from the power source.
  - Connect the white (neutral) wire from the fixture to the white (neutral) wire from the power source.
  - Attach the fixture grounding wire to the mounting plate with the green grounding screw. Then connect it to the house grounding wire with a wire connector. If your outlet box does not have a house grounding wire, then wrap the fixture grounding wire around the green grounding screw. Carefully put the wires back into the outlet box.

3. Attach the back plate to the mounting plate, secure the headless screws from the bottom hole of the back plate onto the the bottom side of the mounting plate.
4. Install bulb (not included). See relamping label at socket area or packaging for maximum allowed wattage.
5. Press the socket spring, place the interior glass shade into the glass bracket, adjust the slot of the interior glass shade to locate into the arm of the fixture, then place the exterior glass shade into the glass bracket, adjust the exterior glass shade to locate into the slot of the fixture. (See Fig. 1)

**Turn on the power at the main fuse or circuit breaker box.**

The following parts are available for re-order if damaged or missing.



**A: 4-1/4"**  
**B: 4"**  
**C: 13-1/2"**